

E3

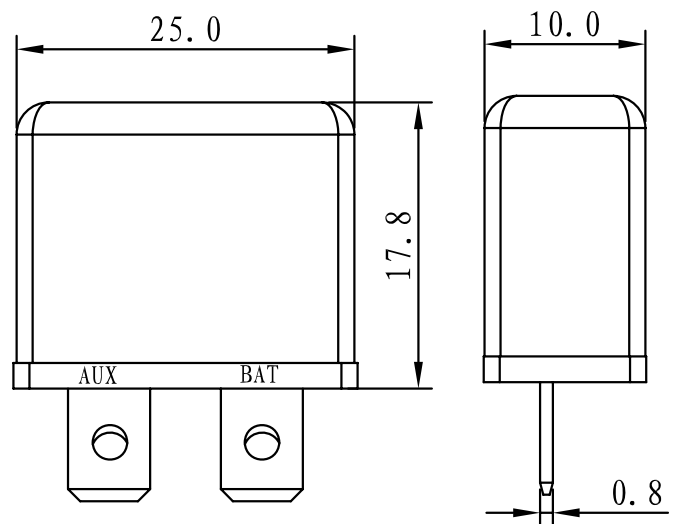


E31 is a single pole, snap-action, automatic reset (SAE Type I) circuit breaker designed to protect wiring harnesses, battery powered riding toys, portable power tools and many other applications with operating voltage up to 24 Volts DC or 240 Volts AC. Provides a compact profile, broad design flexibility and versatile mounting options. E32 is modified reset (SAE Type II)

Description:

- Single pole thermal type breakers.
- Rating: 5-30A, 14 Vdc(E32); 28Vdc(E31).
- Interrupt Rating: 150A -450A@ 14 Vdc.
- Operating Temperature Rating: -40 °C to 85 °C.
- Storage Temperature Rating: -40 °C to 125 °C.
- Materials: UL-Rated 94V0 thermoplastic body. Tin-plated copper alloy terminals.
- Marking: Standard marking includes amp/volt ratings, part number and date code.
- Termination: Compatible with ATC fuse blocks.
- Compliances: SAEJ553; SAEJ1171(ignition protected)

Dimensions: mm



Electrical Characteristics:

- Over-load Percentage 100% : No trip with 60 minutes.
- Over-load Percentage 150% : Trip in 10-45 sec.
- Over-load Percentage 200% : Trip in 4-30 sec.

Part Numbering System:

E3							
				2 one Section breakable, 6.35 x 9.1 mm 3 Three Section breakable, 5.1 x 18.5 mm 4 one Section breakable, 5.1 x 12.5 mm 5 one Section breakable, 6.35 x 9.5 mm Standard Termination (Consult factory for special terminations)			
		1 125Vac		8 28Vdc			
		2 250Vac		Standard Marking			
		4 14Vdc		(Consult factory for special markings)			
		6 6 Vdc					
5-30A is available.							
1 Aluminum Cover							
2 Plastic Cover							
E31 Automatic Reset Type I							
E32 Modified Reset Type II							

